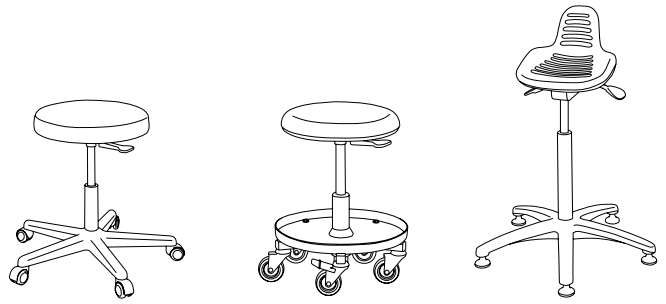




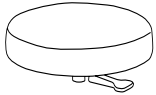
CHAIR ASSEMBLY INSTRUCTION GUIDE

for BEVCO Backless Stool Models

- 3000 Series
- Sit Stands
- Maintenance Repair Stools



PARTS LIST



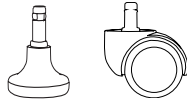
Seat w/control
Mechanism
(1)



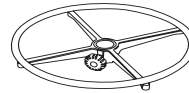
Five-star Base
(1)



Pneumatic
Cylinder
(1)

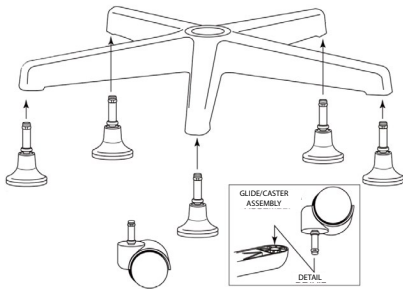


Glides/Casters
(5)
*Casters not
available for Sit
Stand



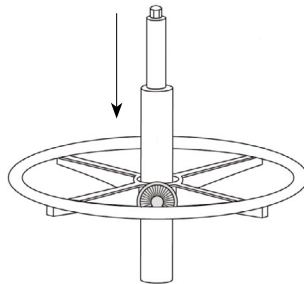
Footring
(optional)
(1)

1



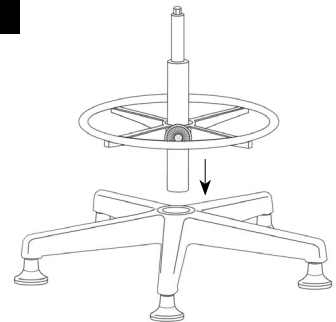
Insert glides or casters into each leg of the base.

2



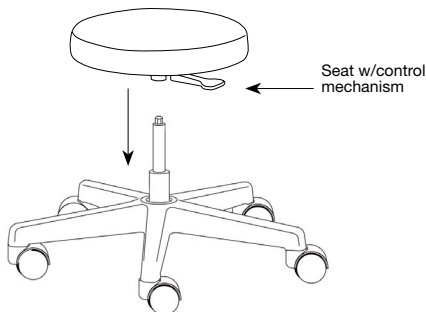
Slide footring (if enclosed) onto cylinder. Ensure the tubular ring faces upward. Tighten handwheel securely.

3



Slide the cylinder into the center of the base.

4



Place seat with control mechanism onto the end of the pneumatic cylinder. Sit on seat to secure fit onto cylinder.